

# HELIUS MEDIASTREAM SST-Si

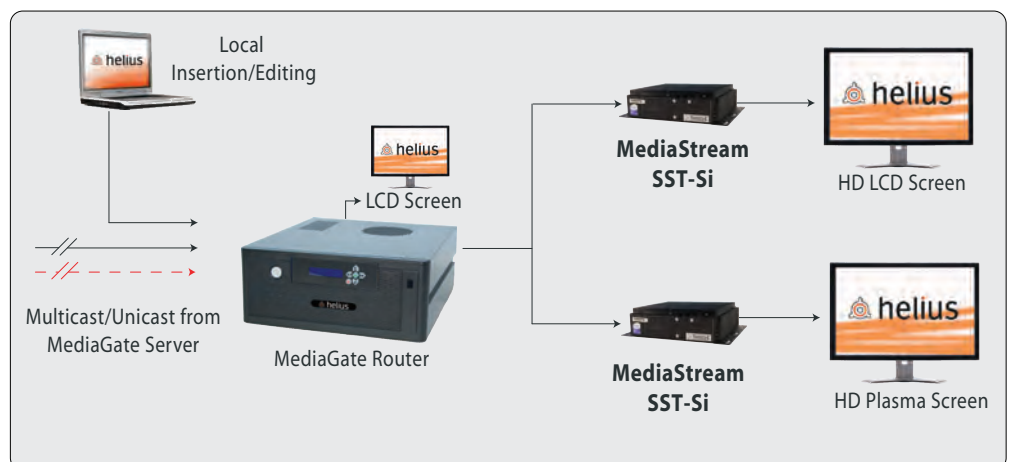


THE HELIUS  
 MEDIASTREAM SST-Si IS  
 A SOLID STATE, FULLY  
 MANAGEABLE DIGITAL  
 SIGNAGE PLAYER WITH  
 NO MOVING PARTS

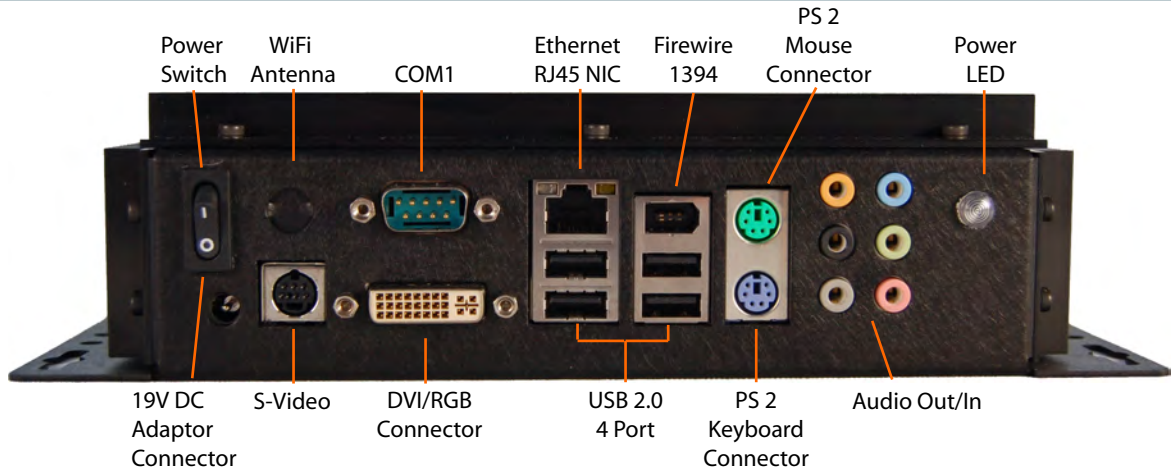
### HELIUS MEDIASTREAM SST-Si OVERVIEW

The Helius MediaStream™ SST-Si is a High Definition MPEG-2/MPEG-4 solid state playback device. With no moving parts and custom heat distribution technology, the SST-Si is engineered to work in environments with unique requirements. With unique IP addresses, each Helius MediaStream SST-Si can deliver unique content and gives the user complete control over what and when content is displayed. This solution will enable the customer to deliver custom content directly to the point of display for best results.

By combining the Helius MediaStream SST-Si with the Helius MediaSignage and the Helius MediaWrite software packs, customers can quickly implement a robust, flexible and scalable digital signage network solution. With the on-board storage, HD video support and MPEG4/MPEG2 video support, the SST-Si is a dynamic output device capable of high quality multimedia. Delivering customized content specific to the point-of-display gives customers a distinct advantage over simple broadcast media where all content is the same at all locations. By combining the power and flexibility of the open standards based Helius solution, customers can integrate these technologies into their existing networks without replacing or reconfiguring existing network infrastructures.



> TECHNICAL SPECIFICATIONS



**HARDWARE**

- 1.66GHz Intel Core 2 Duo processor
- 2 x 512MB of 667MHz DDR2 SDRAM
- **4GB Solid State Flash Hard Drive**
- Gigabit Ethernet (RJ-45 connector)
- Built-in 54-Mbps wireless networking (based on 802.11g standard)
- Intel Integrated graphics
- DVI video output to support HD digital resolutions

**Small Form Factor**

- Height: 2.5 inches (6.35 cm)
- Width: 6.5 inches (24.45 cm)
- Depth: 6.5 inches (18.73 cm)
- Weight: 4 pounds (1.81 kg)

**SOFTWARE**

- Browser Based Management System
- Centralized Control
- Scalable
- Playlist Management
- Local Ad Insertion
- Day Parting
- Proof of Payout Reporting
- MPEG4/MPEG2/Flash/jpg/gif/png support
- Billable / Non-billable content tracking

> HELIUS SOLUTION

The Helius MediaStream™ SST-Si gives retail customers a tool they can use to deliver high quality marketing content at the point-of-decision. By combining the Helius MediaStream SST-Si with a Helius MediaGate Router, the organization can customize the play list and content universally or by location. This flexibility gives customers the ability to target customers and markets vertically or horizontally. Further, the Helius solution also provides robust reporting capabilities to enable ROI calculations and effectiveness monitoring.

> HELIUS CONTACT

**Helius, Inc.**

333 South 520 West, Ste. 330  
Lindon, UT 84042

Tel: 801 764 9020  
fax: 801 764 9022

sales@helius.com  
info@helius.com

www.helius.com